

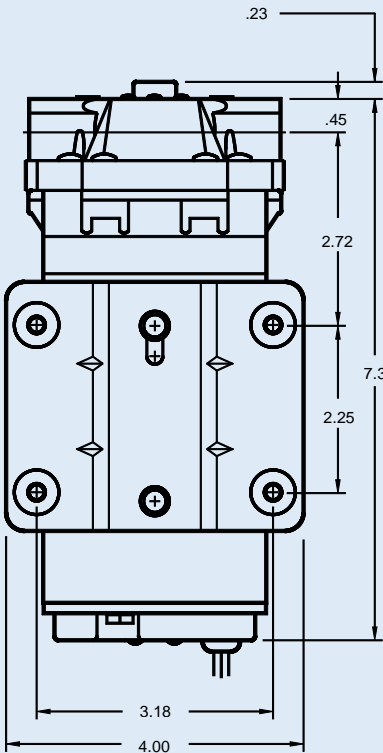
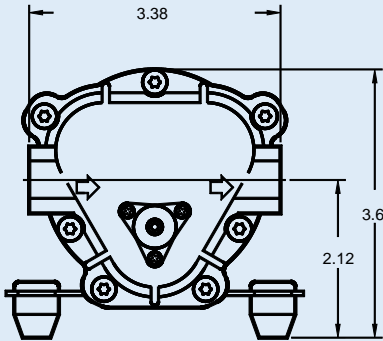
Series 5800 Pump

Model: 5858-2LM2-B534

(Previously 5853-2LM2-B534)

Flow at 80 PSI (20 PSI Inlet Pressure) = .54 GPM

Flow at 80 PSI (40 PSI Inlet Pressure) = .66 GPM



WEIGHT: 6 lbs.

Specifications:

MOTOR:

TYPE: 24 VAC, Permanent Magnet, Totally Enclosed, Non-Ventilated
LEADS: 14 AWG, 12" Long
TEMP. LIMITS: This Motor is Not Equipped with Thermal Protection. For User Safety, Optimal Performance, and Maximum Life, the Motor Surface Temperature Should Not Exceed 150°F (66°C), as Shown on the Heat Rise Graph
DUTY CYCLE: See Heat Rise Graph

PUMP DESIGN:

3 Chamber Diaphragm Pump, Self-Priming, Capable of Being Run Dry

PORTING:

Push-to-Connect Ports for 3/8" Tubing

SWITCH:

None

BYPASS:

Pressure Relief Valve Set To 130 PSI

MOUNTING PLATE:

Steel Mounting Plate

TYPICAL APPLICATION:

Beverage and Drinking Water Delivery

MATERIALS:

HOUSING: Nylon
VALVES: EPDM
DIAPHRAGM: Santoprene
FASTENERS: Stainless Steel, Zinc Plated Carbon Steel

LIQUID TEMPERATURE:

170°F (77°C) Max.

PRIMING CAPABILITIES:

7 ft.



Aquatec International
17422 Pullman
Irvine, CA 92614
Sales: 949-225-2200
www.aquatec.com

DOCUMENT: DS5858-2LM2-B534
REVISION: X1
ECO:
DATE: 8/28/17

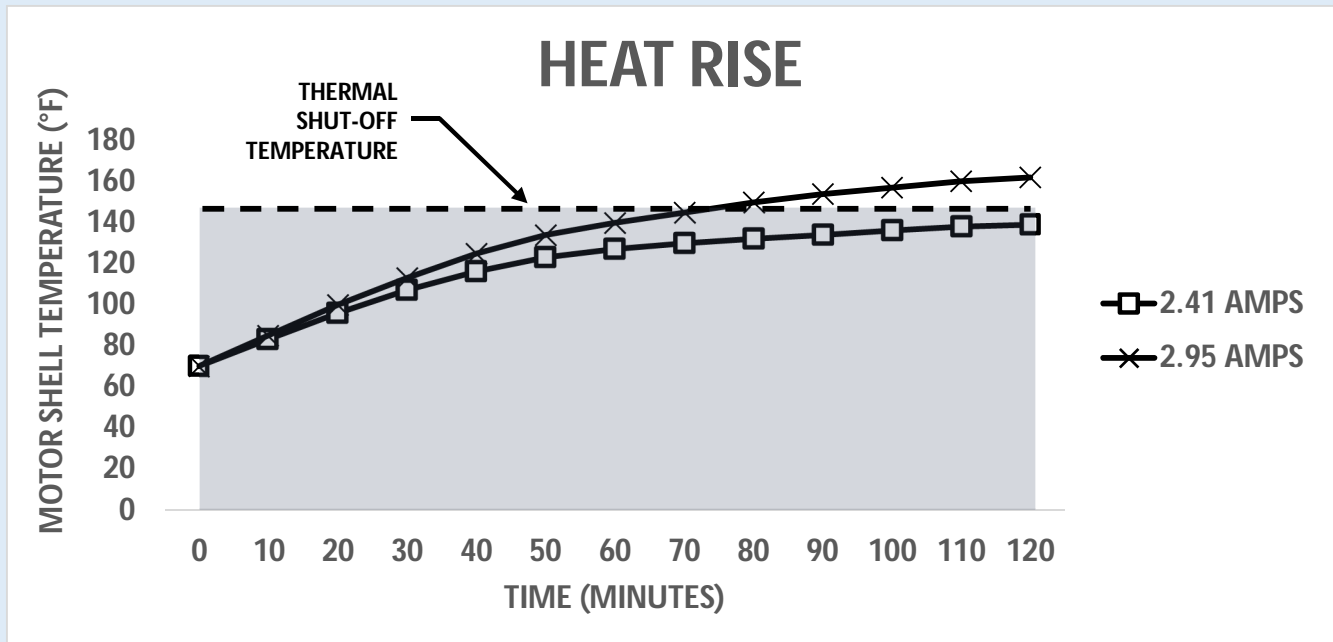
Series 5800 Pump

Model: 5858-2LM2-B534

PERFORMANCE DATA				
DISCHARGE PRESSURE	INLET PRESSURE			
	20 PSI		40 PSI	
PSI	FLOW (GPM)	CURRENT (AMPS)	FLOW (GPM)	CURRENT (AMPS)
130	0.00	2.95	0.00	2.64
120	0.30	2.80	0.26	2.54
110	0.42	2.64	0.50	2.40
100	0.46	2.50	0.54	2.20
90	0.50	2.35	0.60	2.00
80	0.54	2.15	0.66	1.81
70	0.58	1.95	0.72	1.60
60	0.62	1.77	0.78	1.41
50	0.68	1.61	0.84	1.20
40	0.74	1.42	1.00	1.00
30	0.82	1.22	N/A	N/A
20	N/A	N/A	N/A	N/A
10	N/A	N/A	N/A	N/A
OPEN	N/A	N/A	N/A	N/A

Performance measured with 70°F (21°C) ambient and water temperature, and voltage controlled at 24 VAC. Positive inlet pressure will increase the discharge pressure by a similar amount for a given flow. Maximum inlet pressure is 60 PSI.

Shaded area denotes continuous operation capability at designated pressure and current.



The Shaded area in the charts above indicate performance points where the pump is capable of running without periodic cool down based on current draw. Performance points in the unshaded areas require periodic shut down for motor cooling. Some applications require maximum flows at high pressures for relatively short periods, so an explanation of thermal protection follows:

1. The Heat Rise graph plots the highest current that can run without ever leaving the shaded area, in this case, 2.41 amps. At this current or lower, the pump may run continuously, unless the surrounding temperature exceeds 70°F (21°C).
2. The other curve shown is the highest flow and pressure. At 130 PSI, this pump draws 2.95 amps.
3. The motor driving this pump DOES NOT have built in means of limiting temperature. Instead, the user must be aware of the consequences of exceeding a recommended 150°F surface temperature, and of the approximate heating and cooling duration for safe operation. After the initial room temperature heat rise as shown, the pump reaches the recommended shut off temperature after about 70 minutes.
4. Motors of this size and construction require 20 to 40 minutes of cooling time before the pump should be re-started. Lower current levels heat more slowly, allowing longer run times, but the cool down time still averages about 30 minutes at 70°F ambient temperature.
5. Your application may call for short bursts of water, consuming far less than the 70 minutes of sustained operation. Start-up current exceeds normal running current, however, so cycling should be limited to 6 times per minute.

ALL PERFORMANCE AND HEAT RISE FIGURES ARE APPROXIMATE. ACTUAL VALUES WILL VARY WITH AMBIENT CONDITIONS.