

# Series 8800 Pump

Model: 88XX-2X03-B594

Flow Range: Open Flow = 1.89-2.35 LPM

At 80 PSI = .83-1.51 LPM

## COMPLETING THE PART NUMBER:

88XX-2X03-B594

Steel Mounting Plate (Other Types Available)

See Performance Data for Recommended By-pass Pressure and Code

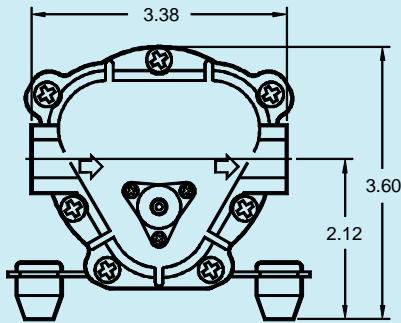
By-Pass Pressure Relief Control Valve

Select Pumphead Model From Performance Data Chart

3 = Open Ports for 3/8" Compression Fitting

4 = Push to Connect Ports for 1/4" Tubing

5 = Push-to-Connect Ports for 3/8" Tubing



## SPECIFICATIONS:

### ■ MOTOR:

TYPE:

24 VDC, Permanent Magnet,  
Totally Enclosed, Non-Ventilated

LEADS:

14 AWG, 12" LONG

TEMP. LIMITS:

For User Safety, Optimal Performance, and  
Maximum Motor Life, This Motor is Equipped  
with a Thermal Protector that Limits the Motor  
Shell Temperature to 145°F (63°C), as Shown on  
the Heat Rise Graph.

DUTY CYCLE:

See Heat Rise Graph

### ■ PUMP DESIGN:

3 Chamber Diaphragm Pump, Self Priming,  
Capable of Being Run Dry

### ■ TYPICAL APPLICATION:

Pre-Filter Water Treatment (R.O. Boost)

### ■ MATERIALS:

HOUSINGS:

Nylon

VALVES:

EPDM

DIAPHRAGM:

Santoprene

FASTENERS:

Stainless Steel

### ■ LIQUID TEMPERATURE:

170°F (77°C) Max.

### ■ PUMP CERTIFICATIONS:

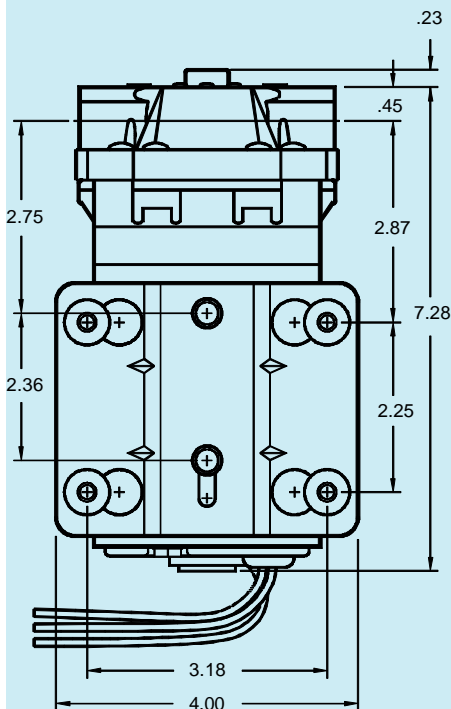
NSF Standard 58

### ■ PRIMING CAPABILITIES:

|              | 88X0 | 88X1 | 88X2 |
|--------------|------|------|------|
| PRIME (FEET) | 5    | 6    | 7    |

### ■ FITTINGS:

| TYPE             | SHAPE    | KIT NO. | CONNECTS TO...                  |
|------------------|----------|---------|---------------------------------|
| 3/8" COMPRESSION | STRAIGHT | 25-145  | 3/8" TUBING                     |
| 3/8" COMPRESSION | ELBOW    | 25-146  | 3/8" TUBING                     |
| 3/8" STEM        | STRAIGHT | 25-144  | 3/8" JOHN GUEST PUSH-ON FITTING |



WEIGHT: 6 lbs.



Aquatec International, Inc.  
17422 Pullman Street, Irvine, CA 92614  
Sales: 949-225-2200 Fax: 949-225-2222  
www.aquatec.com

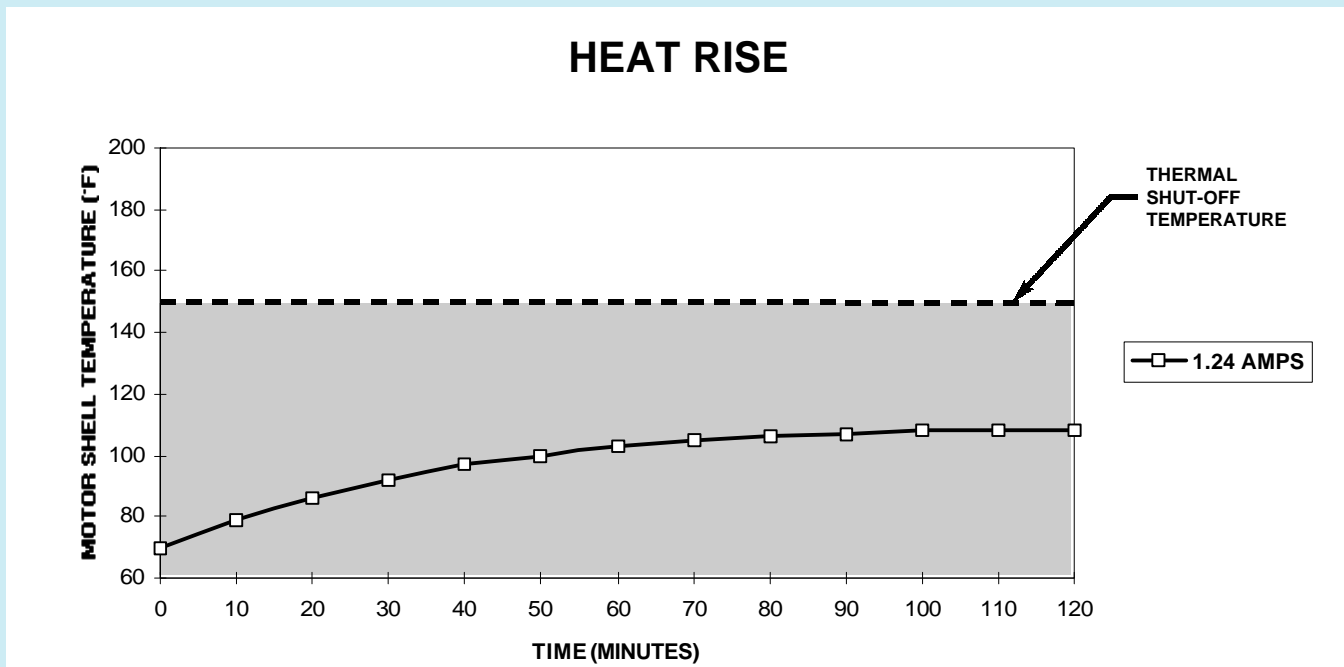
# Series 8800 Pump

Model: 88XX-2X03-B594

| PERFORMANCE DATA         |                 |                |            |                |            |                |                              |      |
|--------------------------|-----------------|----------------|------------|----------------|------------|----------------|------------------------------|------|
| DISCHARGE PRESSURE (PSI) | PUMP HEAD MODEL |                |            |                |            |                | RECOMMENDED BY-PASS PRESSURE |      |
|                          | 88X0            |                | 88X1       |                | 88X2       |                | PSI                          | CODE |
|                          | FLOW (LPM)      | CURRENT (AMPS) | FLOW (LPM) | CURRENT (AMPS) | FLOW (LPM) | CURRENT (AMPS) |                              |      |
| 80                       | 0.83            | 0.92           | 1.14       | 0.99           | 1.51       | 1.24           | 110                          | J    |
| 70                       | 1.14            | 0.85           | 1.25       | 0.90           | 1.63       | 1.13           | 100                          | I    |
| 60                       | 1.25            | 0.77           | 1.36       | 0.83           | 1.74       | 1.02           | 90                           | H    |
| 50                       | 1.32            | 0.70           | 1.40       | 0.74           | 1.85       | 0.91           | 80                           | G    |
| 40                       | 1.40            | 0.62           | 1.48       | 0.65           | 1.89       | 0.79           | 70                           | F    |
| 30                       | 1.48            | 0.53           | 1.51       | 0.56           | 1.97       | 0.68           | 70                           | F    |
| 20                       | 1.59            | 0.45           | 1.63       | 0.47           | 2.12       | 0.55           | 70                           | F    |
| 10                       | 1.70            | 0.35           | 1.78       | 0.37           | 2.27       | 0.41           | 70                           | F    |
| OPEN                     | 1.89            | 0.32           | 1.93       | 0.34           | 2.35       | 0.38           | 70                           | F    |

PERFORMANCE MEASURED WITH FLOODED INLET (0 PSI), 70°F (21°C) AMBIENT AND WATER TEMPERATURE, AND VOLTAGE CONTROLLED AT 24 VDC. POSITIVE INLET PRESSURE WILL INCREASE THE DISCHARGE PRESSURE BY A SIMILAR AMOUNT, FOR A GIVEN FLOW. MAXIMUM INLET PRESSURE IS 60 PSI.

SHADED AREA DENOTES CONTINUOUS OPERATION CAPABILITY AT DESIGNATED PRESSURE AND CURRENT.



All of the pump models in the Performance Data and Heat Rise charts are in the shaded area, meaning they are capable of sustaining continual running, at any of the above listed pressures, without shutting down to allow the motor to cool. To conserve wearing parts, however, the pump should only operate as needed.

ALL PERFORMANCE AND HEAT RISE FIGURES ARE APPROXIMATE. ACTUAL VALUES WILL VARY WITH AMBIENT CONDITIONS.