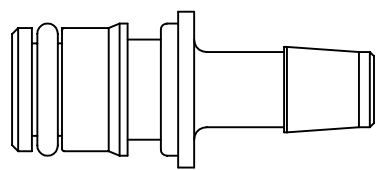
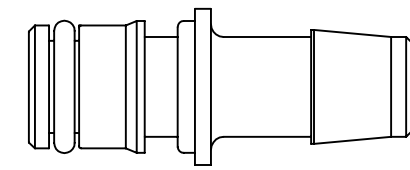


THE INFORMATION CONTAINED HEREON IS PROPRIETARY AND CONFIDENTIAL TO AQUATEC WATER SYSTEMS, INC. AND SHALL NOT BE USED OR DISCLOSED IN WHOLE OR IN PART WITHOUT FIRST OBTAINING THE WRITTEN PERMISSION OF AQUATEC WATER SYSTEMS, INC.

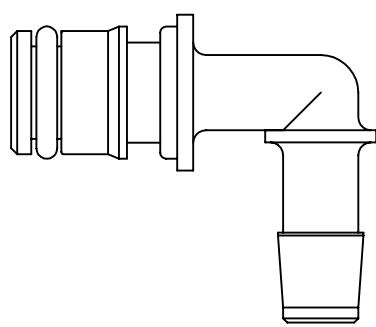
REVISIONS				
REV	DESCRIPTION	DATE	DRAWN	APPROVED
A	ECO #2624, RELEASE FOR PRODUCTION	10/4/02	E.G.	
B	ECO #2655, ADD O-RING MTL	10/25/02	E.G.	



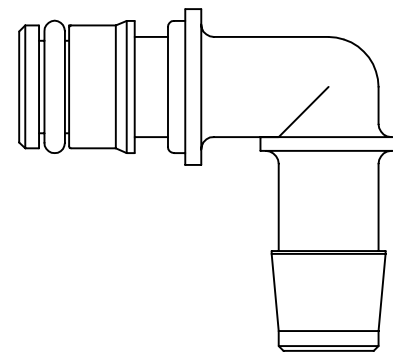
QBS-783 (BUNA N O-RING)  
 QBS-783-V (VITON O-RING)  
 3/8" HOSE BARB TO  
 5/8" QUICK DISCONNECT,  
 STRAIGHT  
 \* NOT TO BE USED FOR  
 FLOWS GREATER THAN 1.5 LPM



QBS-784 (BUNA N O-RING)  
 QBS-784-V (VITON O-RING)  
 1/2" HOSE BARB TO  
 5/8" QUICK DISCONNECT,  
 STRAIGHT



QBE-783 (BUNA N O-RING)  
 QBE-783-V (VITON O-RING)  
 3/8" HOSE BARB TO  
 5/8" QUICK DISCONNECT,  
 ELBOW  
 \* NOT TO BE USED FOR  
 FLOWS GREATER THAN 1.5 LPM



QBE-784 (BUNA N O-RING)  
 QBE-784-V (VITON O-RING)  
 1/2" HOSE BARB TO  
 5/8" QUICK DISCONNECT,  
 ELBOW

CAD# QXX-78X	
PRODUCT CODE	
NEXT ASSY	USED ON
APPLICATION	

UNLESS OTHERWISE SPECIFIED DIMENSIONS ARE IN INCHES AT 65°F TOLERANCES ARE: FRACTIONS: DECIMALS: ANGLES: ±1/64 .X = .030 ±1/2° .XX = .010 .XXX = .005		MATERIAL	
◎ CONCENTRICITY .005 T.I.R. ⊥ PERPENDICULARITY .0005/IN. ANGULAR DIMS FOR CHAMF'S & C'SINKS ±2° FILLET RADII .010 TO .030 BREAK CORNERS .005 TO .015 R. OR CHAMF. FINISH AA 125 MICRO IN. PER ANSI B46.		FINISH	
GEOMETRIC SYMBOLS PER ANSI-Y14.5		APPROVALS	DATE
DO NOT SCALE DRAWING		DRAWN E.G.	10/3/02
		DESIGNED	
		CHECKED	
		SHEET	1 OF 1

AQUATEC WATER SYSTEMS INC. 17422 Pullman St., Irvine, Ca. 92614			
FITTINGS, 7800 SERIES			
SIZE	SCALE	PART/DWG NO.	REV
B	NONE	QXX-78X	B