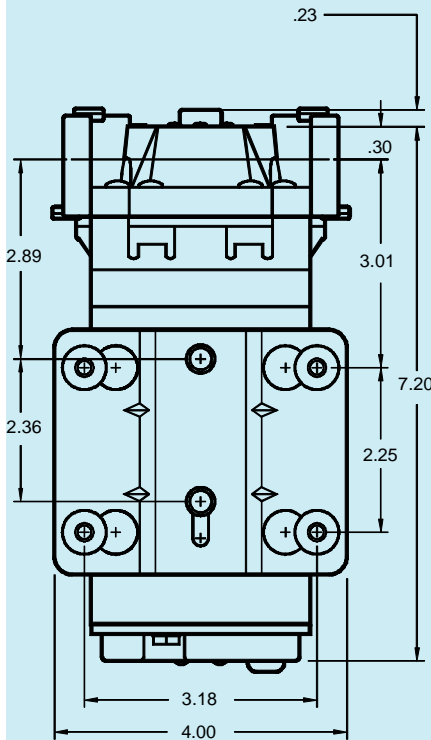
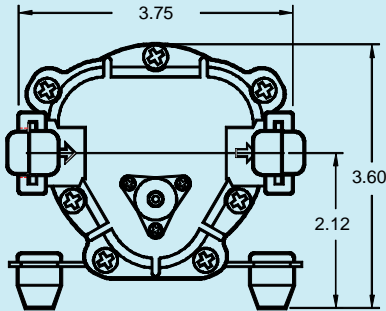


Series 7800 Pump

Model: 7863-8177-0664



WEIGHT: 6 lbs.

COMPLETING THE PART NUMBER:

7863-8177-0664

- Steel Mounting Plate (Other Types Available)
- 12VDC Motor
- Double Ball Bearing Finned Motor
- For Agricultural Spraying Applications
- 100 PSI By-Pass
- Maximum Flow Components
- 3.5° Cam
- Quick Disconnect Ports for Barb Fittings
- Series 7800 Pump

SPECIFICATIONS:

- MOTOR:**
TYPE: 12 VDC, Permanent Magnet, Totally Enclosed, Non-Ventilated
LEADS: 14 AWG, 12" LONG
TEMP. LIMITS: This Motor is Not Equipped with Thermal Protection. For User Safety, Optimal Performance, and Maximum Motor Life, The Motor Surface Temperature Should Not Exceed 150°F (66°C), as Shown on the Heat Rise Graph. See Heat Rise Graph
DUTY CYCLE:
- PUMP DESIGN:** 3 Chamber Diaphragm Pump, Self Priming, Capable of Being Run Dry
- TYPICAL APPLICATION:** Agriculture Spraying Equipment
- MATERIALS:**
HOUSINGS: Polypropylene
VALVES: Viton
DIAPHRAGM: Santoprene
FASTENERS: Stainless Steel
- LIQUID TEMPERATURE:** 140°F (60°C) Max.
- PUMP CERTIFICATIONS:** NSF Standard 58
- PRIMING CAPABILITIES:** 10 Feet
- FITTINGS:**

TYPE	SHAPE	HOSE BARB SIZE	
		3/8"	1/2"
QUICK DISCONNECT	STRAIGHT	QBS-783	QBS-784
QUICK DISCONNECT	ELBOW	QBE-783	QBE-784



Aquatec Water Systems, Inc.
 17422 Pullman
 Irvine, CA 92614
 Sales: 949-225-2200
 Fax: 949-225-2222

DOCUMENT: DS7863-8177-0664
 ISSUED: 2/21/02
 REVISED: 2/21/02

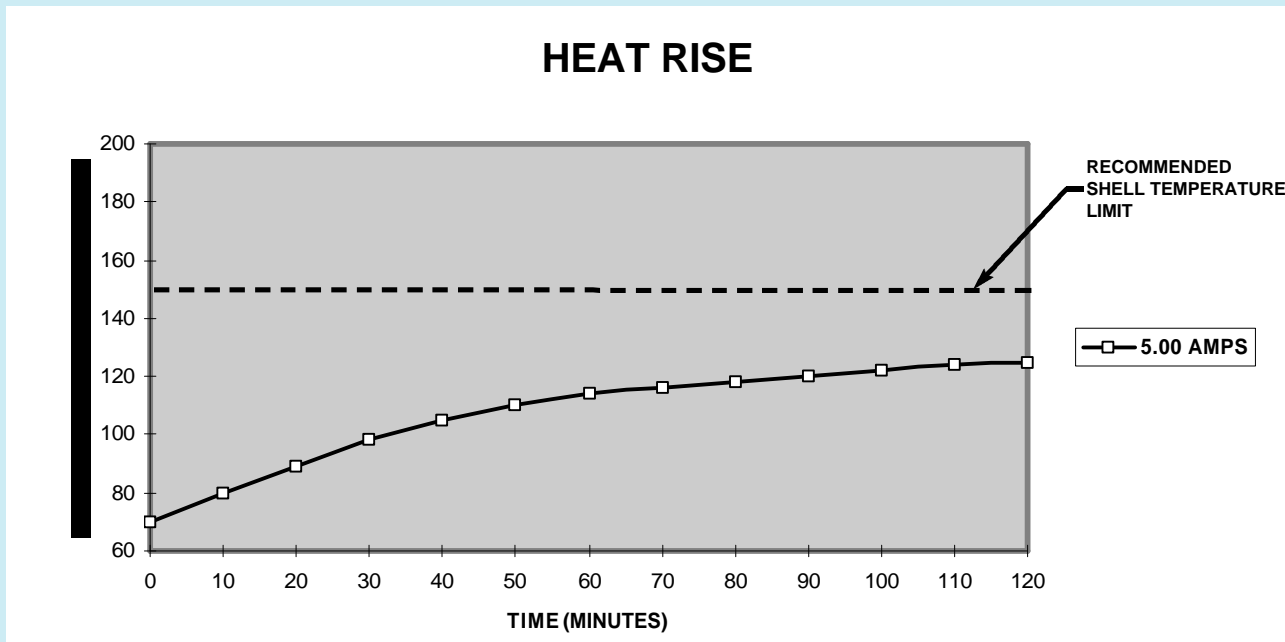
Series 7800 Pump

Model: 7863-8177-0664

PERFORMANCE DATA				
DISCHARGE PRESSURE		FLOW		CURRENT
(PSI)	(BAR)	(GPM)	(LPM)	(AMPS)
70	4.8	0.48	1.82	5.00
60	4.0	0.78	2.95	4.60
50	3.4	0.94	3.56	4.20
40	2.7	1.02	3.86	3.80
30	2.0	1.05	3.97	3.40
20	1.4	1.10	4.16	3.00
10	0.7	1.15	4.35	2.50
OPEN	OPEN	1.20	4.54	2.00

PERFORMANCE MEASURED WITH FLOODED INLET (0 PSI), 70°F (21°C) AMBIENT AND WATER TEMPERATURE, AND VOLTAGE CONTROLLED AT 12 VDC. POSITIVE INLET PRESSURE WILL INCREASE THE DISCHARGE PRESSURE BY A SIMILAR AMOUNT, FOR A GIVEN FLOW. MAXIMUM INLET PRESSURE IS 60 PSI.

SHADED AREA DENOTES CONTINUOUS OPERATION CAPABILITY AT DESIGNATED PRESSURE AND CURRENT.



All of the pump models in the Performance Data and Heat Rise charts are in the shaded area, meaning they are capable of sustaining continual running, at any of the above listed pressures, without shutting down to allow the motor to cool. To conserve wearing parts, however, the pump should only operate as needed.

ALL PERFORMANCE AND HEAT RISE FIGURES ARE APPROXIMATE. ACTUAL VALUES WILL VARY WITH AMBIENT CONDITIONS.