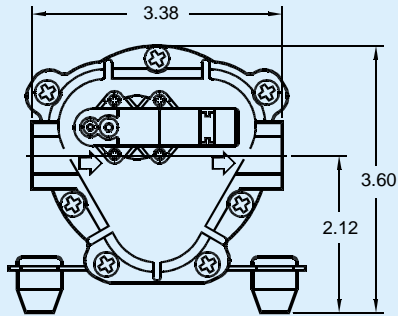


58-FC1-120

120 PSI, 115VAC FLOOR CARE PUMP

Flow : With #2 Nozzle: 95 PSI, .4 GPM
With #6 Nozzle: 60 PSI, .75 GPM

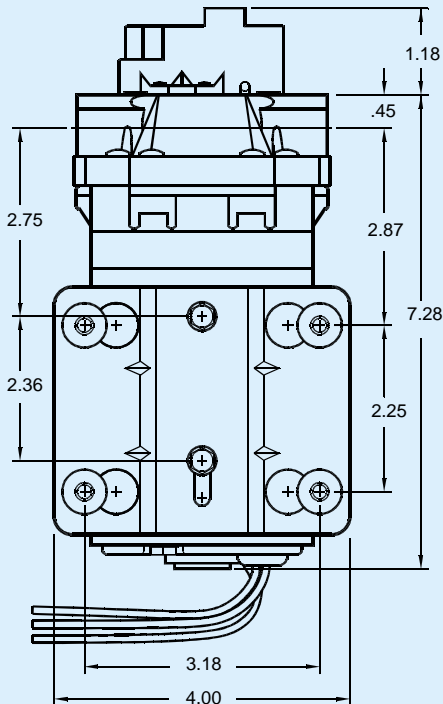


FEATURES:

- Series 5800 Pump
- Floor Care Applications
- 115 VAC Operation
- 3/8" NPT Female Ports
- Pressure Switch Set to 120 PSI
- Internal Pressure Bypass
- Sealed Motor to Prevent Moisture Intrusion
- Steel Mounting Plate (Other Types Available)

SPECIFICATIONS:

- **MOTOR:**
 - TYPE:** 115 VAC, 60 HZ, Permanent Magnet, Totally Enclosed, Non-Ventilated
 - LEADS:** 18 AWG, 12" LONG
 - TEMP. LIMITS:** For User Safety, Optimal Performance, and Maximum Motor Life, This Motor is Equipped with a Thermal Protector that Limits the Motor Shell Temperature to 145°F (63°C), as Shown on the Heat Rise Graph.
 - DUTY CYCLE:** See Heat Rise Graph
- **PUMP DESIGN:** 3 Chamber Diaphragm Pump, Self Priming, Capable of Being Run Dry
- **TYPICAL APPLICATION:** Floor Care
- **MATERIALS:**
 - HOUSINGS:** Nylon
 - VALVES:** Viton
 - DIAPHRAGM:** Santoprene
 - FASTENERS:** Stainless Steel, Zinc Plated Carbon Steel
- **LIQUID TEMPERATURE:** 170°F (77°C) Max.
- **PUMP CERTIFICATIONS:** UR E225352 (5883-2I61-0584-UR)
- **PRIMING CAPABILITIES:** 9 Feet



WEIGHT: 6 lbs.



Aquatec Water Systems, Inc.
17422 Pullman
Irvine, CA 92614
Sales: 949-225-2200
Fax: 949-225-2222

DOCUMENT: DS58-FC1-120
ISSUED: 3/5/10
REVISED: 3/5/10

PRELIMINARY; SPECIFICATIONS SUBJECT TO CHANGE

58-FC1-120

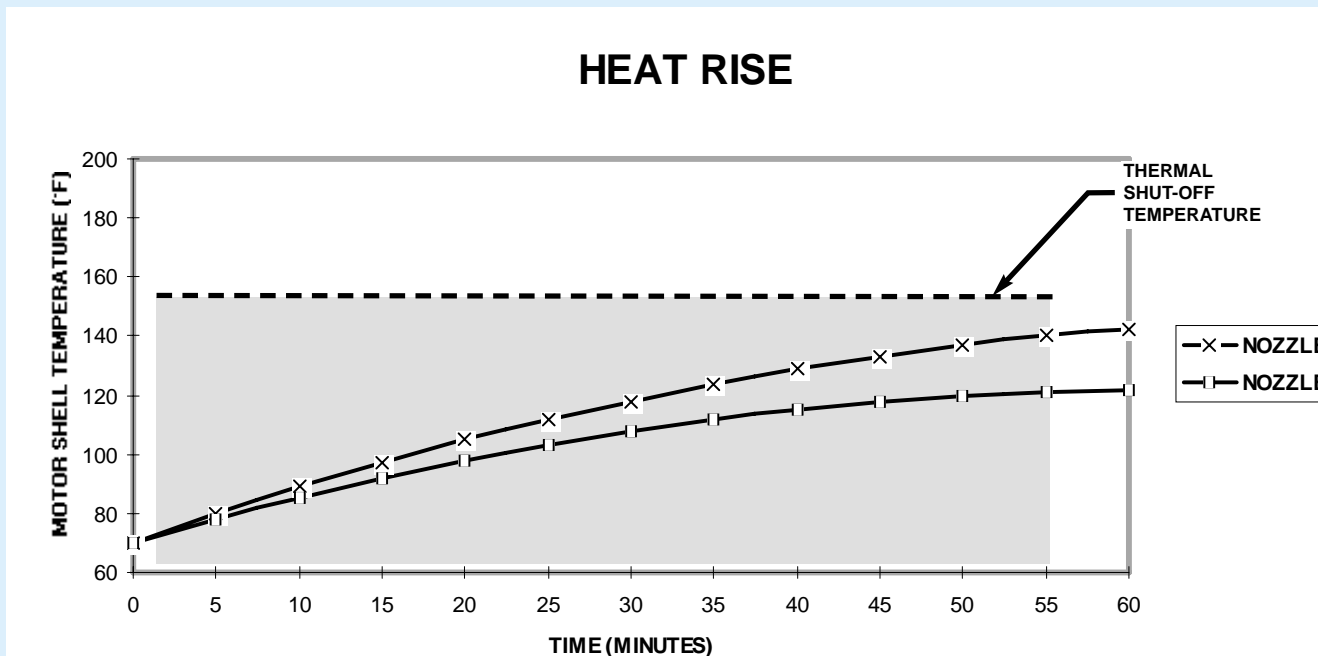
120 PSI, 115VAC FLOOR CARE PUMP

PERFORMANCE DATA			
NOZZLE SIZE	DISCHARGE PRESSURE (PSI)	FLOW (GPM)	CURRENT (AMPS)
NUMBER 2	95	0.40	0.90
NUMBER 6	60	0.75	0.80

PERFORMANCE MEASURED WITH FLOODED INLET (0 PSI), 70°F (21°C) AMBIENT AND WATER TEMPERATURE, AND VOLTAGE CONTROLLED AT 115 VAC. POSITIVE INLET PRESSURE WILL INCREASE THE DISCHARGE PRESSURE BY A SIMILAR AMOUNT, FOR A GIVEN FLOW. MAXIMUM INLET PRESSURE IS 60 PSI.

NOTES:

- NOT RECOMMENDED FOR NOZZLES SMALLER THAN NUMBER TWO
- REQUIRES MINIMUM SYSTEM PRESSURE RELIEF VALVE SETTING OF 225 PSI WITH HEATER EQUIPPED UNITS



The motor driving this pump has a built in thermal protector that will open, shutting off the pump, when the surface temperature of the motor heats to approximately 150°F. Motors of this size and construction require 15 to 30 minutes of cooling time before the thermal protector closes and re-energizes the pump. Lower current levels heat more slowly, allowing longer run times, but the cool down time still averages about 30 minutes, at 70°F ambient temperature.

ALL PERFORMANCE AND HEAT RISE FIGURES ARE APPROXIMATE. ACTUAL VALUES WILL VARY WITH AMBIENT CONDITIONS.